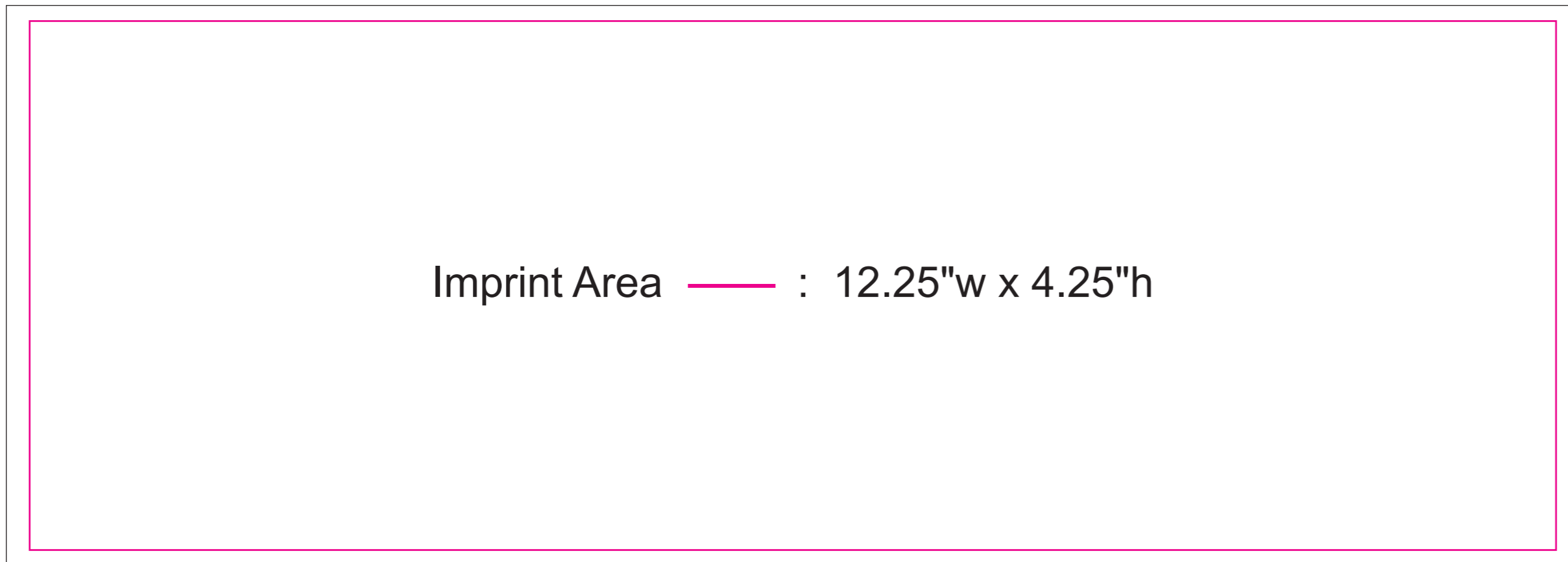
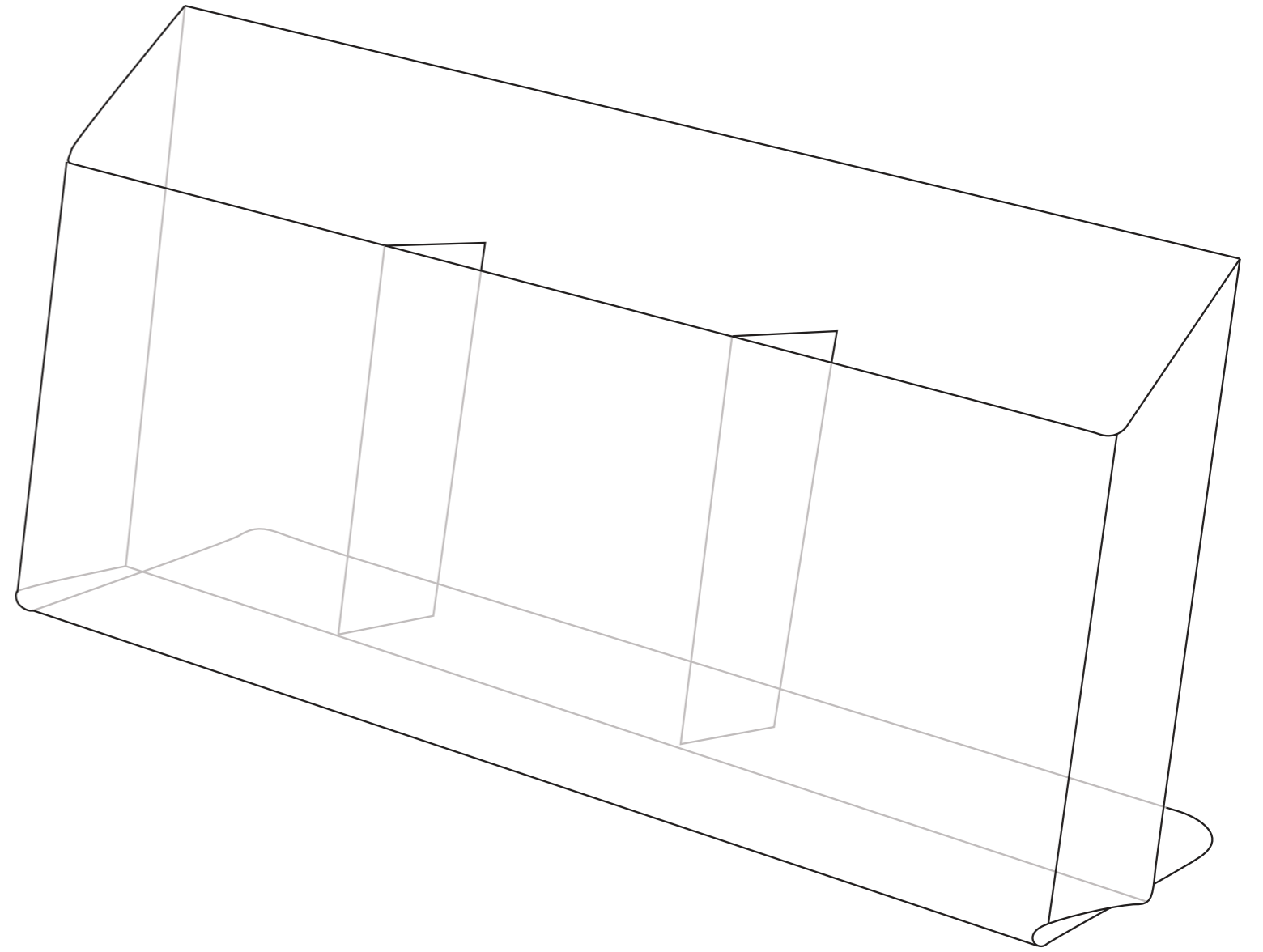


3-Pocket, 1-Tier Clear Acrylic Counter Brochure Holder

#D019716

ARTWORK TEMPLATE



ARTWORK SPECIFICATIONS:

Logos and typographic designs must be provided as vector formatted artwork with all text converted to outlines. Compositions using bitmaps should be clipped accordingly & submitted as a high quality pdf. Please include the root design file and assets package. *If improper artwork is submitted, additional artwork fees may incur.*