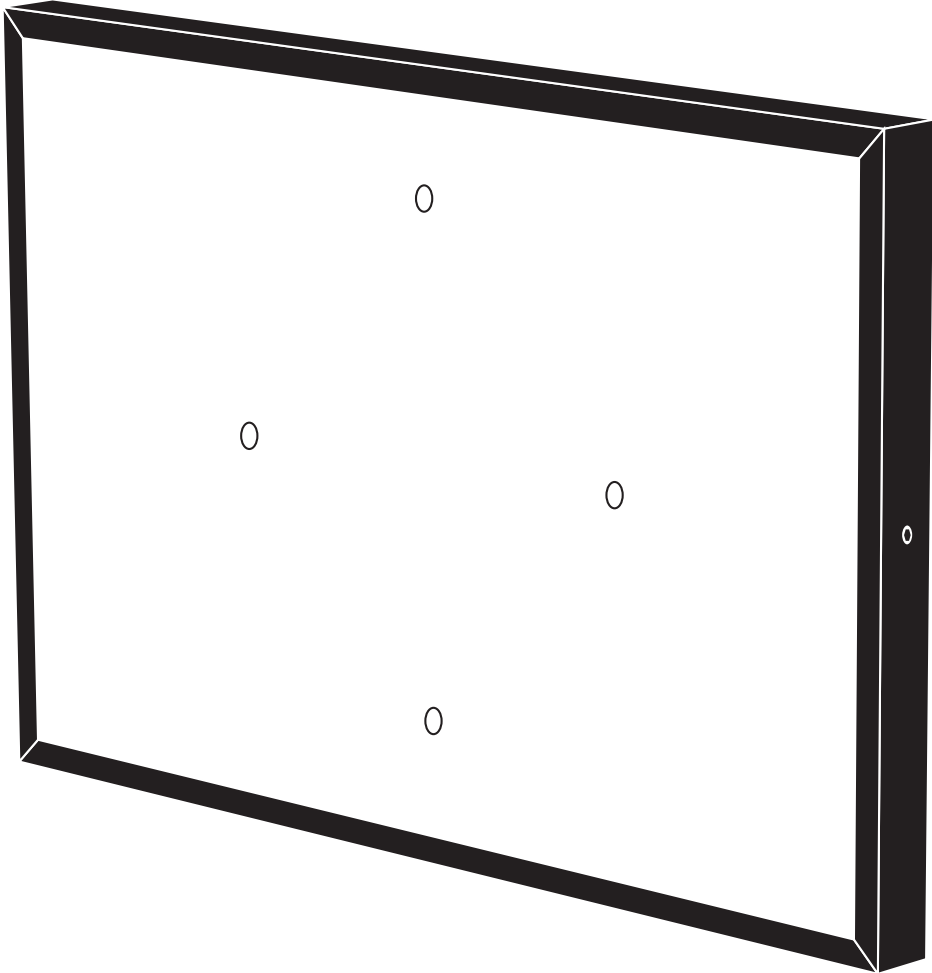


17x11 Weather Resistant Frame (Wall Mount)

Product No. F01366

ASSEMBLY & INSTALLATION INSTRUCTIONS



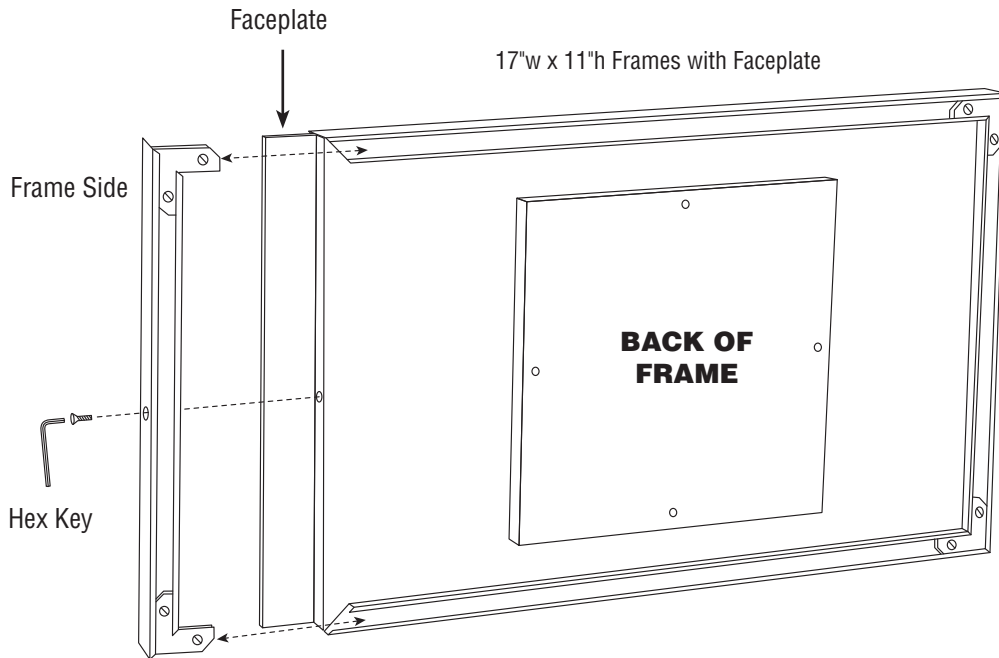
Parts & Hardware: *Prior to assembly, please be sure all of the parts and hardware are present. If you are missing any hardware, please call immediately.*

<p>17" w x 11" h Frames with Faceplate</p>	<p>(4) Phillips Head Screws (for Wall Mounting)</p>	<p>(4) Screw Anchors (for Wall Mounting)</p>	<p>Hex Key</p>
--	---	--	----------------

17x11 Weather Resistant Frame (Wall Mount)

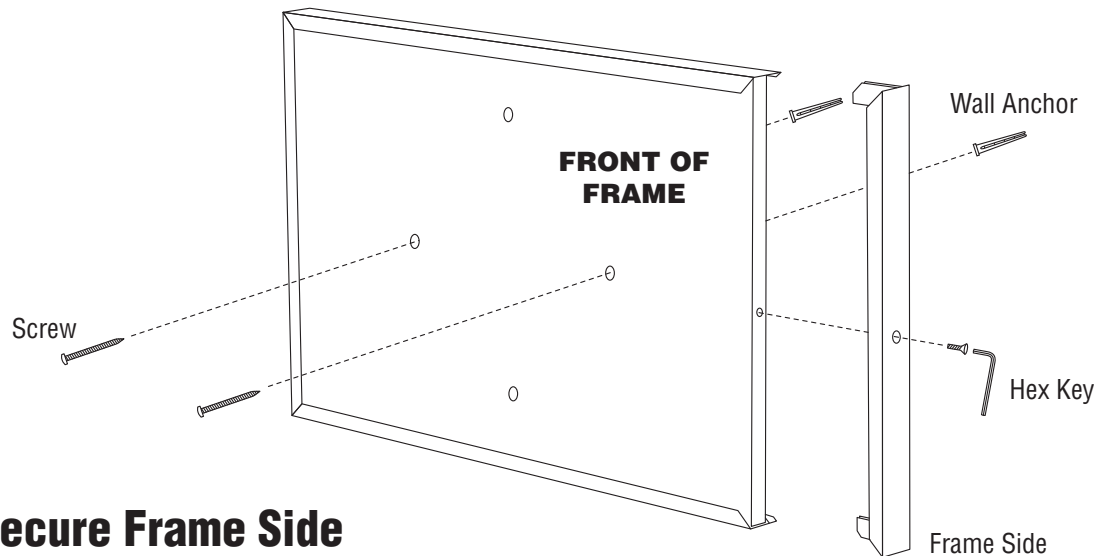
Product No. F01366

ASSEMBLY & INSTALLATION INSTRUCTIONS



Remove Frame Side and Faceplate

1. Loosen the screw on the side with the hex key (included) and remove the frame side.
2. Slide out the faceplate to expose the pre-drilled holes.



Mount to Wall and Secure Frame Side

1. Position the frame in the desired location & mark the wall through the pre-drilled holes in the backer.
2. Pre-drill holes into the wall where the marks are. Insert the wall anchors if you are installing into drywall only. If not, you may need alternative hardware.
3. Secure the frame to the wall using the included screws. Depending on the wall structure, alternative hardware may be required.
4. Insert your sign/poster & faceplate through the side of the frame. Insert the frame side back into the frame and secure using the included hex key.