

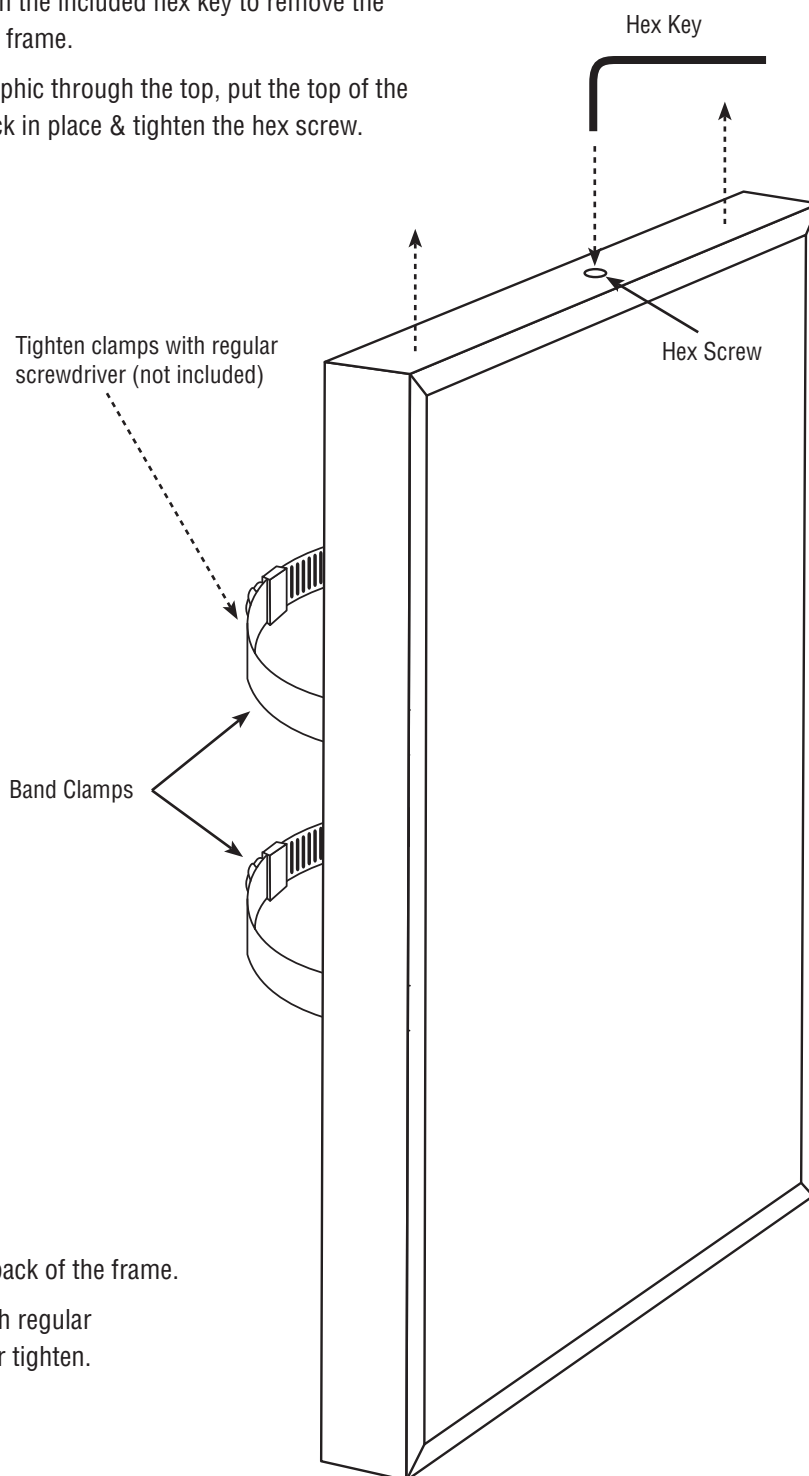
# Weather Resistant 18x24 Exterior Frame (Pole Mount)

Product No. F01370P

ASSEMBLY INSTRUCTIONS

## Insert Graphic

1. Loosen the metal brackets in the corner and hex screw with the included hex key to remove the top of the frame.
2. Insert graphic through the top, put the top of the frame back in place & tighten the hex screw.



## Mount to Pole

1. Insert band clamps through the insert slots on the back of the frame.
2. Position the clamps around the pole and tighten with regular screwdriver (not included) until secure. Do not over tighten.