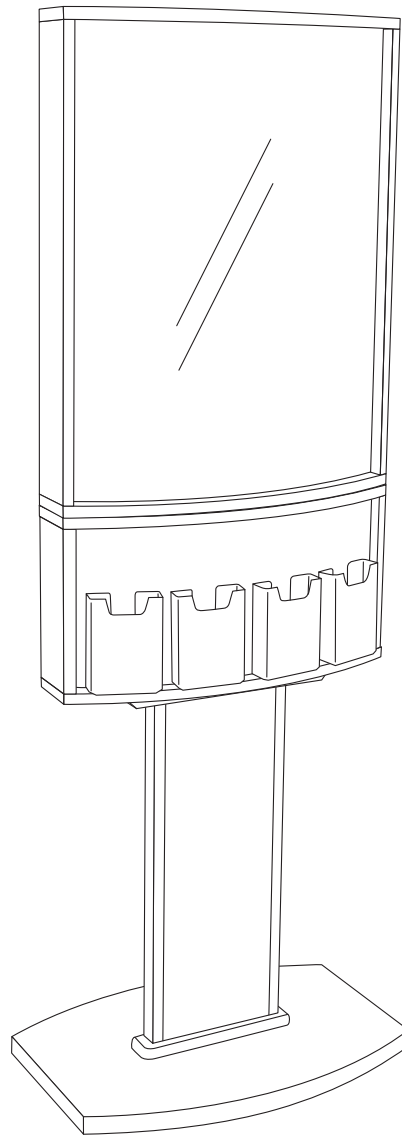


# 1-Sided Convex Wood Floor Frame with 4 Brochure Pockets

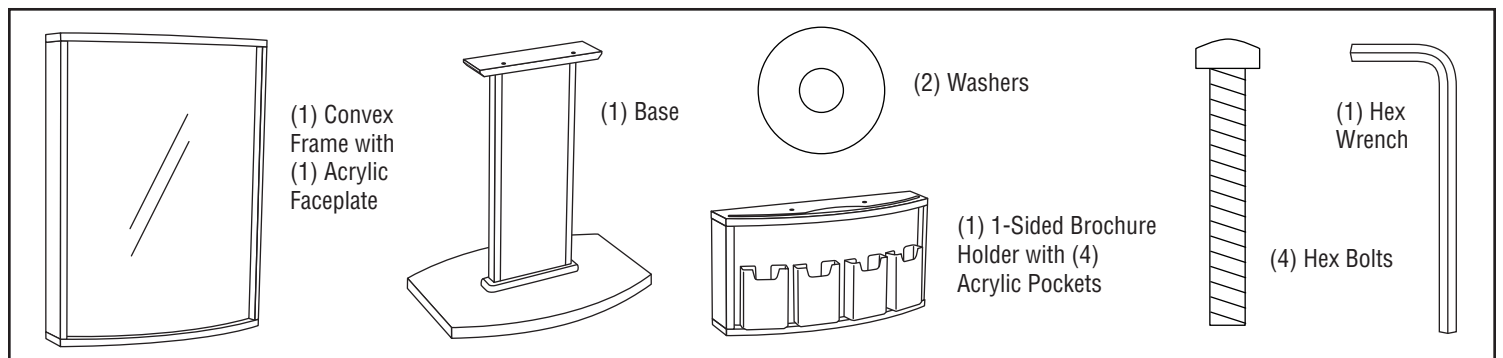
Product No. FFFM06093

ASSEMBLY INSTRUCTIONS



## Included Hardware

*Prior to assembly, be sure the included hardware is present. If you are missing any hardware, please call immediately.*



# 1-Sided Convex Wood Floor Frame with 4 Brochure Pockets

Product No. FFFM06093

ASSEMBLY INSTRUCTIONS

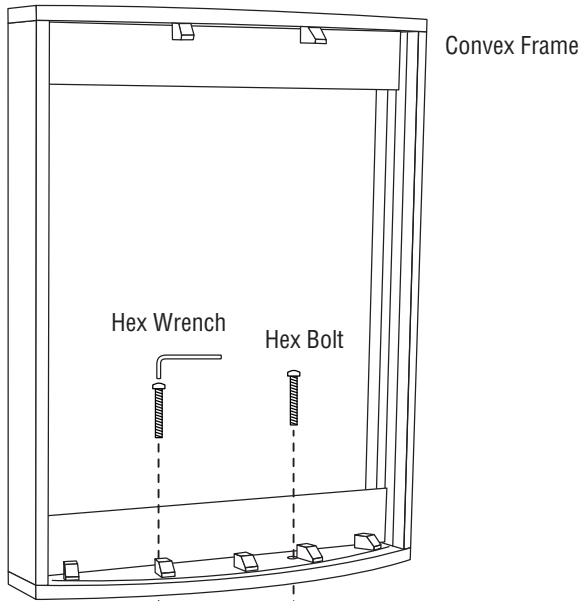


FIG 2

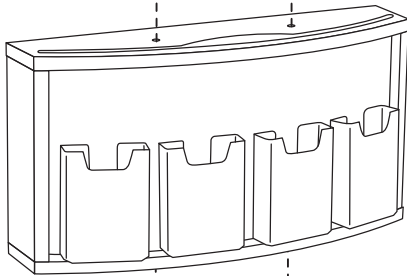
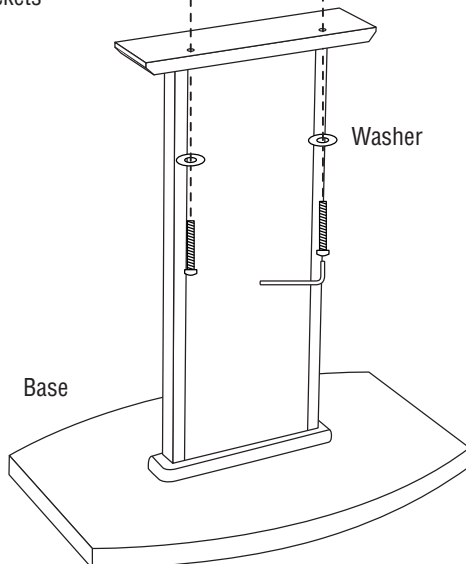


FIG 1



## Step 1 Mounting Brochure Holder to Base

1. Stand the base upright.
2. Align the holes in the bottom of the brochure holder with the holes in the base pedestal.
3. Insert the included hex bolts / washers into the pre-drilled holes & tighten with the hex wrench. (Fig 1)
4. Tighten until snug - **DO NOT OVER TIGHTEN.**

## Step 2 Mounting Convex Frame to Brochure Holder/Base

1. Remove the acrylic faceplate from the frame.
2. Align the holes in the bottom of the convex frame with the holes in the top of the brochure holder.
3. Insert the included hex bolts into the pre-drilled holes & tighten with the hex wrench. (Fig 2)
4. Tighten until snug - **DO NOT OVER TIGHTEN.**
5. Re-insert the acrylic faceplate into the top of the frame. This would be a good time to insert your poster or sign.