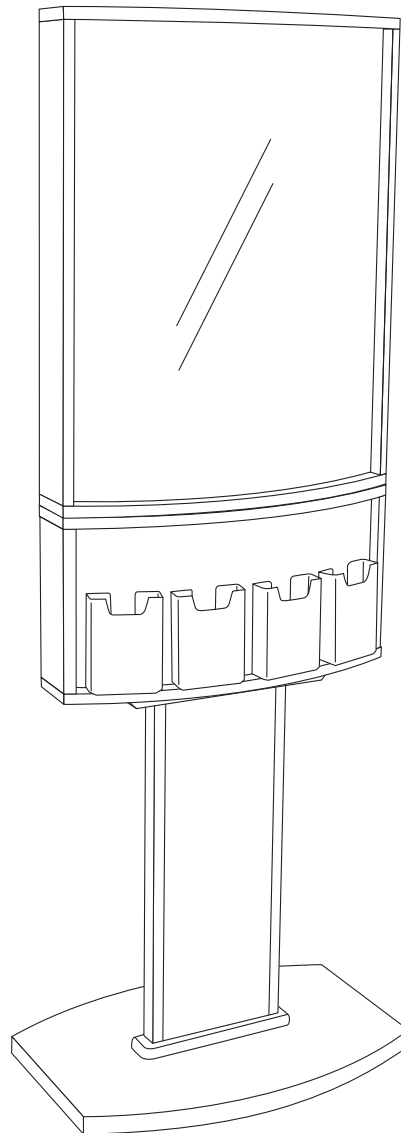


# 2-Sided Convex Wood Floor Frame with Brochure Pockets

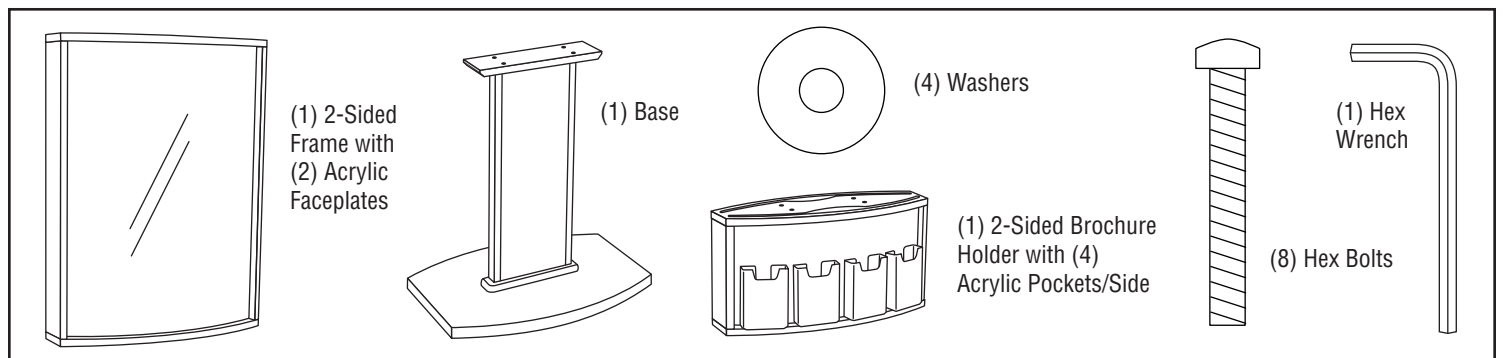
Product No. FFFM06094

ASSEMBLY INSTRUCTIONS



## Included Hardware

*Prior to assembly, be sure the included hardware is present. If you are missing any hardware, please call immediately.*



# 2-Sided Convex Wood Floor Frame with Brochure Pockets

Product No. FFFM06094

ASSEMBLY INSTRUCTIONS

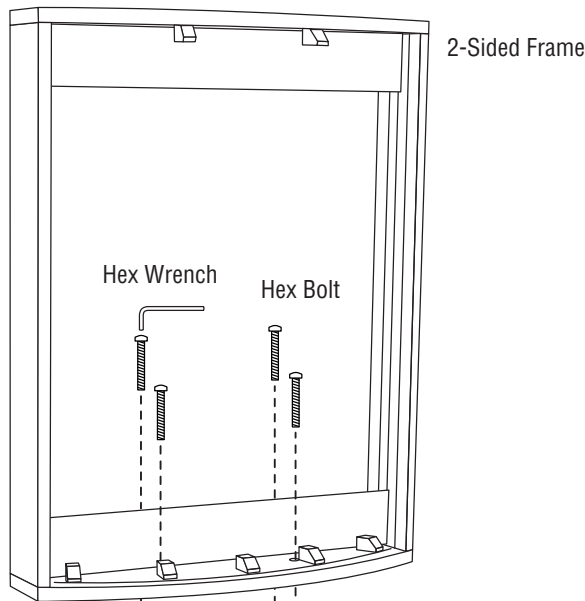


FIG 2

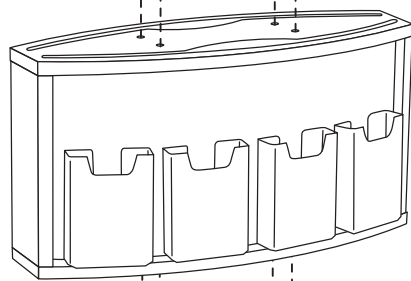
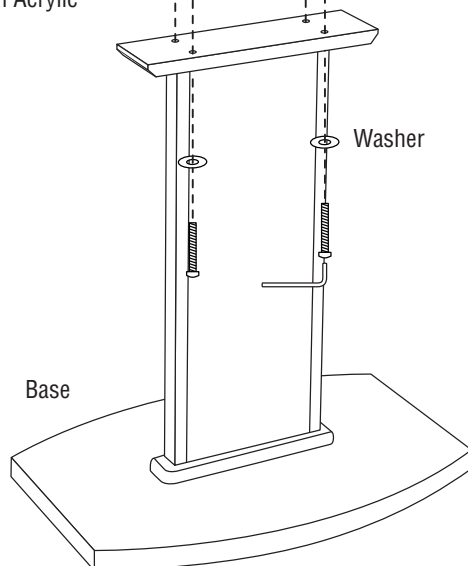


FIG 1

2-Sided Brochure Holder with Acrylic Pockets



## Step 1 Mounting 2-Sided Brochure Holder to Base

1. Stand the base upright.
2. Align the holes in the bottom of the 2-sided brochure holder with the holes in the base pedestal.
3. Insert the included hex bolts / washers into the pre-drilled holes & tighten with the hex wrench. (Fig 1)
4. Tighten until snug - **DO NOT OVER TIGHTEN.**

## Step 2 Mounting 2-Sided Frame to Brochure Holder/Base

1. Remove the (2) acrylic faceplates from the frame.
2. Align the holes in the bottom of the 2-sided frame with the holes in the top of the brochure holder.
3. Insert the included hex bolts into the pre-drilled holes & tighten with the hex wrench. (Fig 2)
4. Tighten until snug - **DO NOT OVER TIGHTEN.**
5. Re-insert the acrylic faceplates into the top of the frame. This would be a good time to insert your poster or sign.