

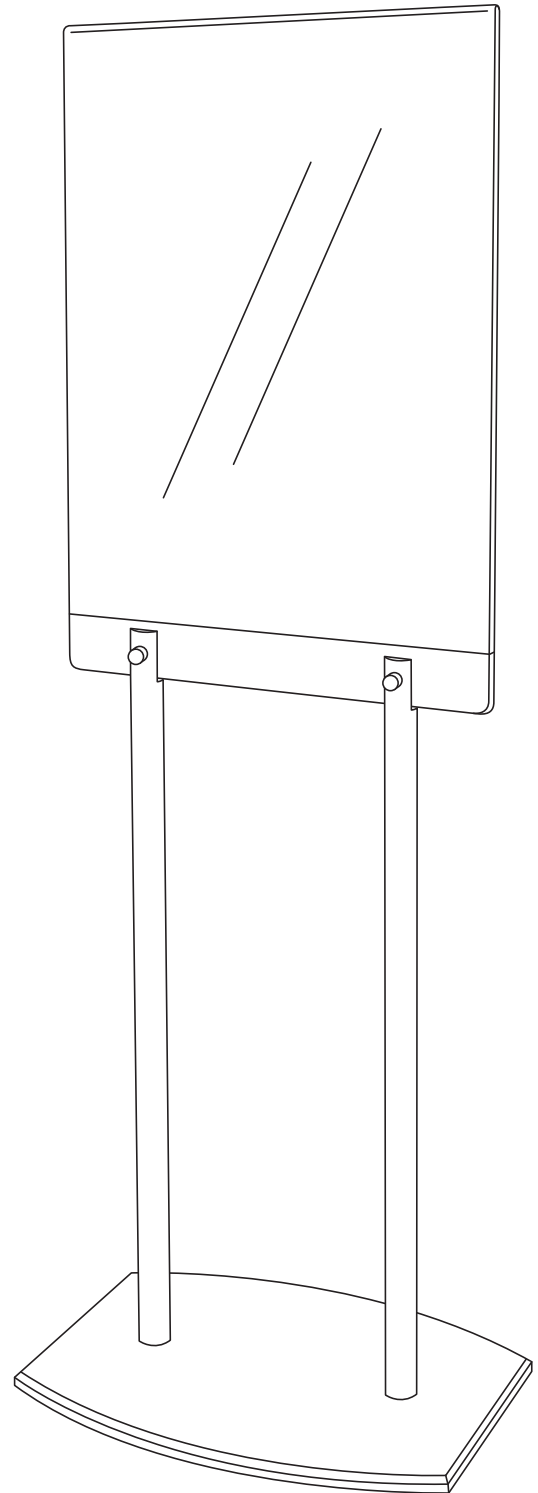
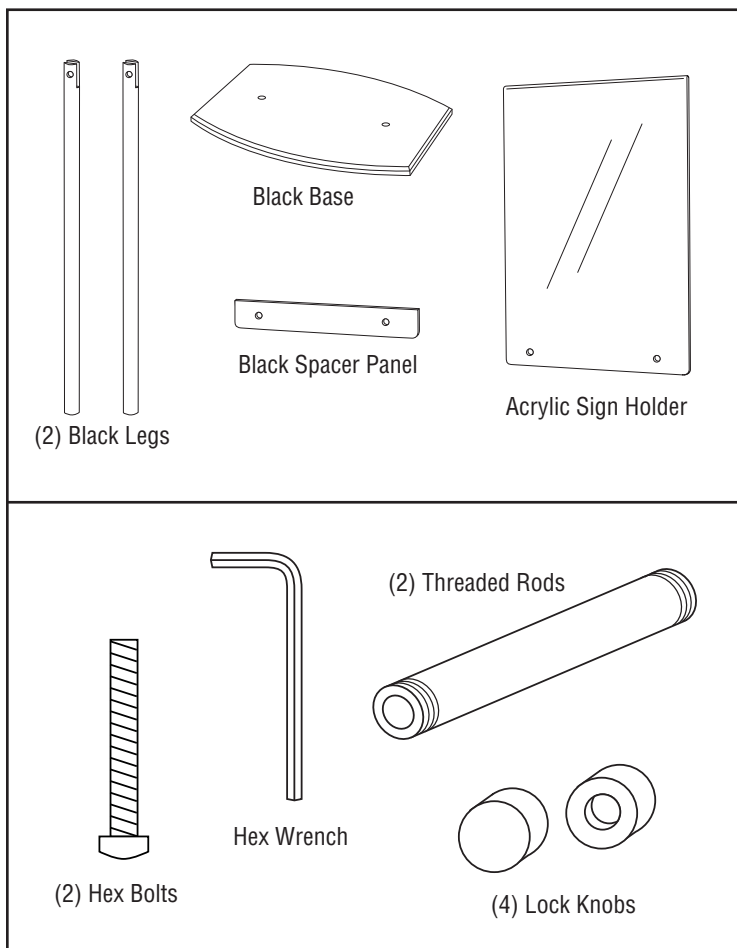
# 2-Sided Black Floor Poster Stand

ASSEMBLY INSTRUCTIONS

Product No. FFFP01568

## Parts & Hardware

Prior to assembly, please be sure all of the parts and hardware are present.  
If you are missing any hardware, please call immediately.



# 2-Sided Black Floor Poster Stand

ASSEMBLY INSTRUCTIONS

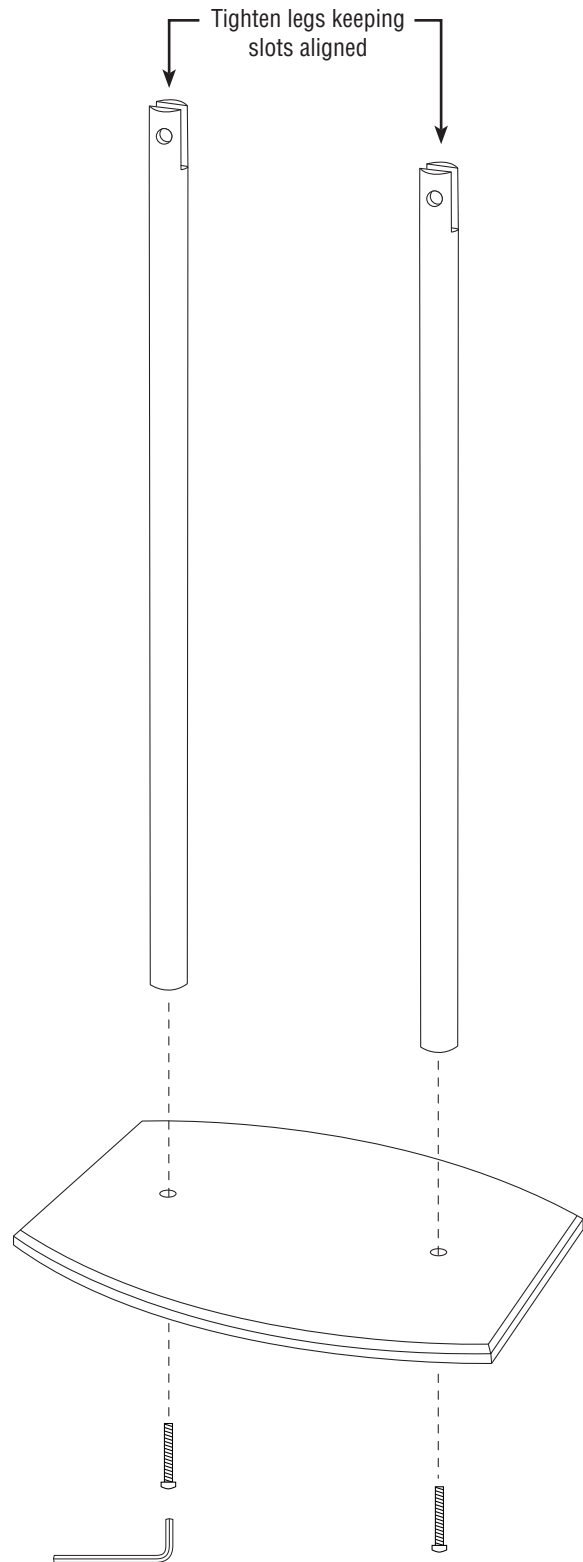
Product No. FFFP01568

## Step 1:

Attach the black legs to base unit using the supplied hex bolts & hex wrench - Position each leg keeping the top slots aligned. Hold each leg in place while tightening the bolt(s) with the hex wrench.

**DO NOT Twist the legs to tighten!** Twisting the legs to tighten may scratch the surface of the base unit.

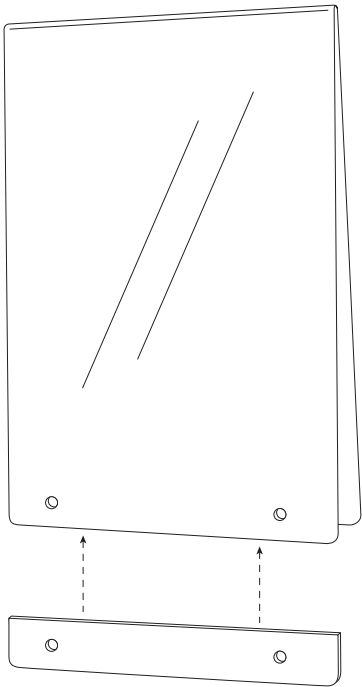
\* Be sure to keep the legs aligned so the slots are running in the same direction to accept the sign holder & spacer panel.



# 2-Sided Black Floor Poster Stand

ASSEMBLY INSTRUCTIONS

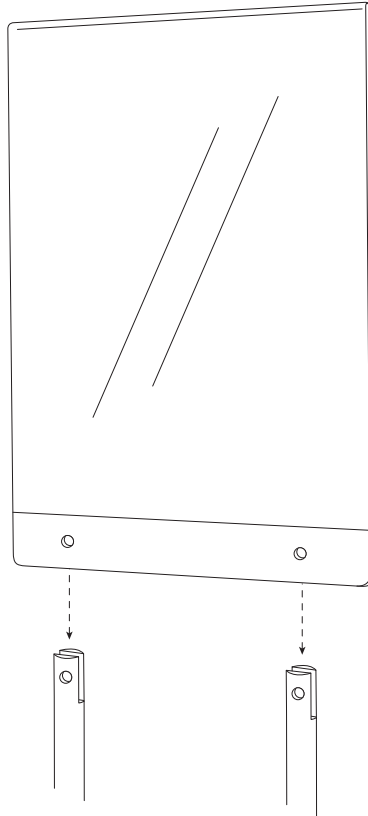
Product No. FFFP01568



## Step 2:

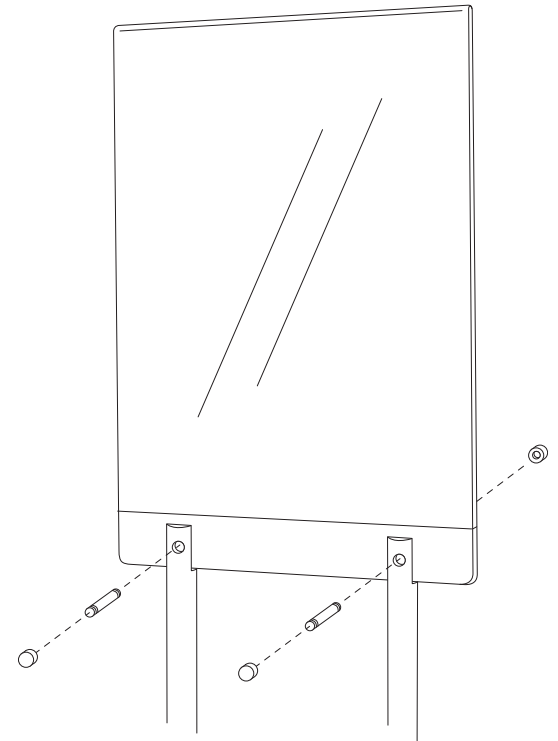
After removing the poster holder & spacer panel from its packaging, peel off the protective film and insert the spacer panel between the two sides of the sign holder keeping the curved corners to the bottom and roughly aligning the holes.

\* This is a convenient time to insert your poster(s) and is recommended but not necessary.



## Step 3:

Insert the assembled poster holder & spacer panel into the top slot of the legs roughly aligning the holes.



## Step 4:

Insert the threaded rods through holes and tighten the lock knobs on each side of the rods.

The display is now assembled!

Clean unit with acrylic cleaner (or mild detergent & water) and soft cloth only. **DO NOT USE ALCOHOL!**

For a small container of NOVUS Acrylic Cleaner call today!