

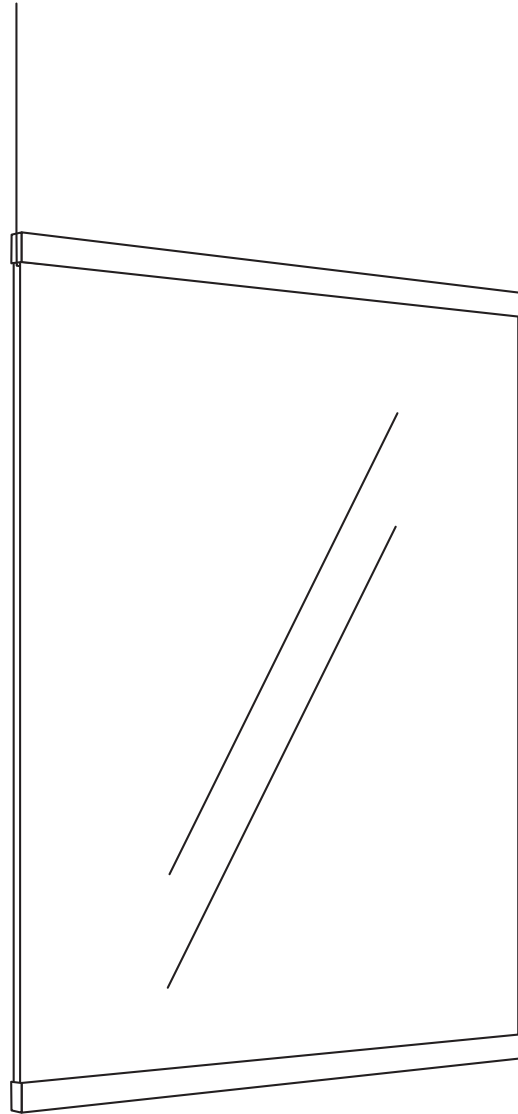
Ceiling Hung Acrylic Poster Frame with Black Accents

Product No. FFWP03040

ASSEMBLY INSTRUCTIONS

IMPORTANT INFORMATION

This installation procedure is for drop ceiling applications ONLY.

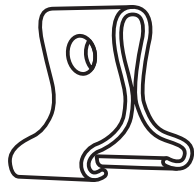


Included Hardware

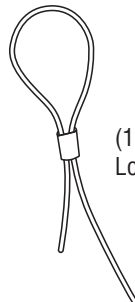
Prior to assembly, be sure the included hardware is present. If you are missing any hardware, please call immediately.



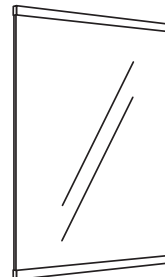
(2) "S" Hooks



(2) Ceiling Clamps



(1) Cord with
Loops at Each End



(1) Acrylic Sign Holder
with Black Accents

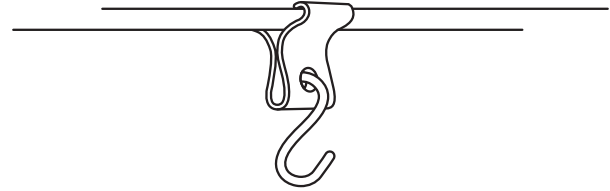
Ceiling Hung Acrylic Poster Frame with Black Accents

Product No. FFWP03040

ASSEMBLY INSTRUCTIONS

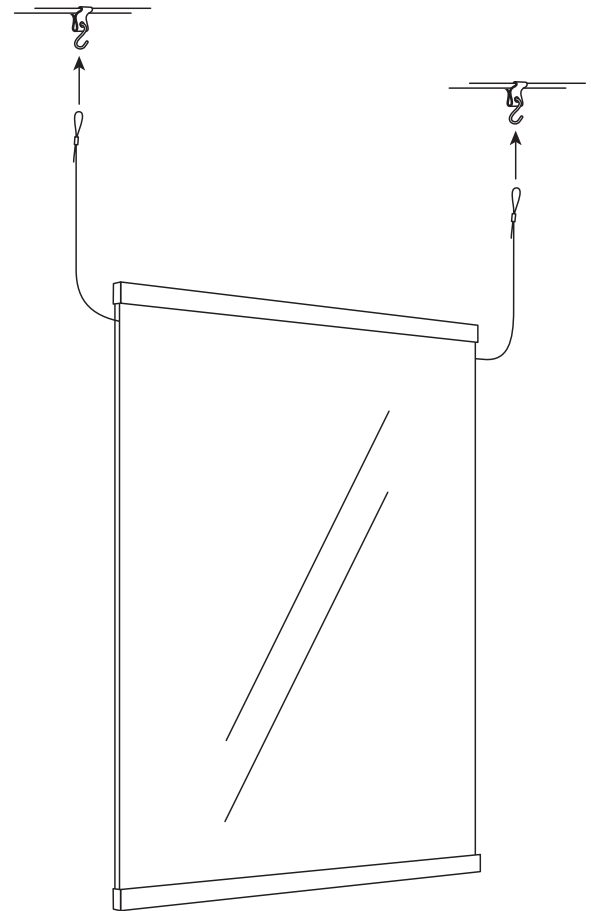
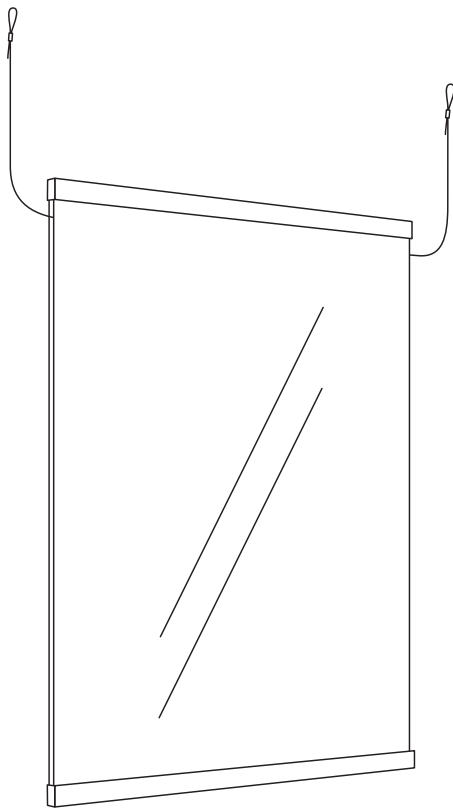
Step 1:

Locate the desired location for the poster frame. Once located, attach the ceiling clamps to the support rails of the drop ceiling.



Step 2:

Insert the "S" hooks into the ceiling clamps.



Step 3:

Feed the cord through the frame (between the clear acrylic) keeping the cord even on both sides.

Step 4:

Lifting the frame into position, slide the loops at the end of the cord over the "S" hooks. You can now carefully release the frame for use.