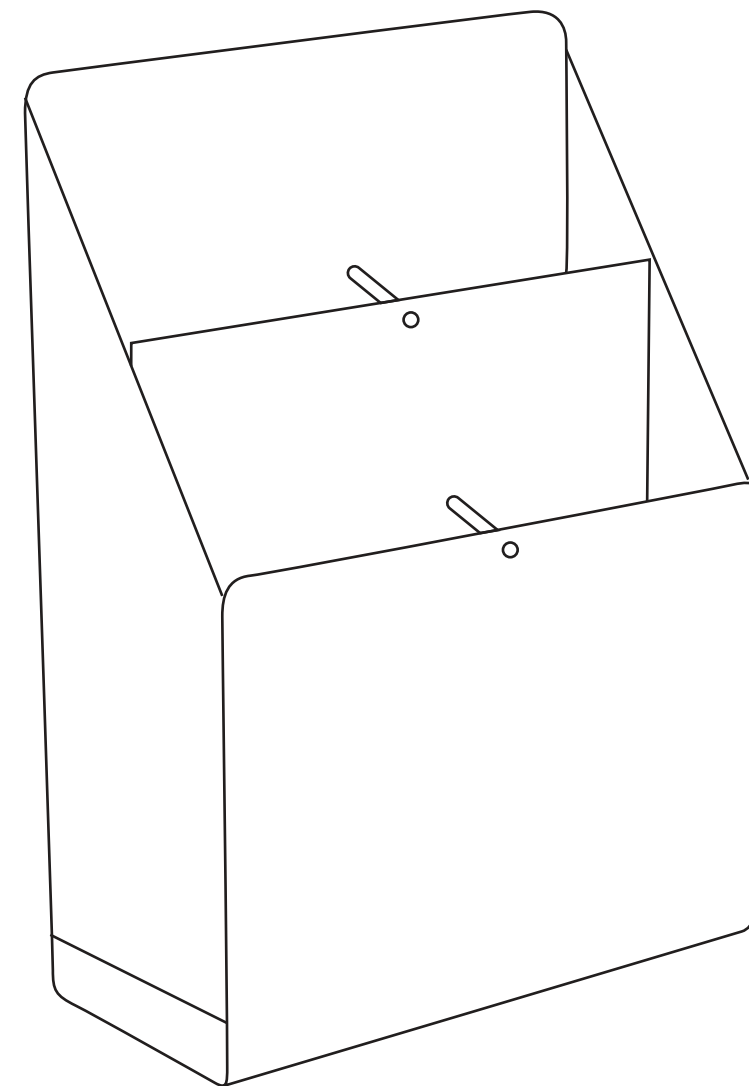


**Adjustable 4-Pocket, 2-Tiered Clear
Acrylic Counter Brochure Holder**
#FLMI00217

ARTWORK TEMPLATE



Imprint Area  : 8.75"w x 6.25"h

ARTWORK SPECIFICATIONS:

Logos and typographic designs must be provided as vector formatted artwork with all text converted to outlines. Compositions using bitmaps should be clipped accordingly & submitted as a high quality pdf. Please include the root design file and assets package. *If improper artwork is submitted, additional artwork fees may incur.*